

TOYA 42 (IN/AB/GM)

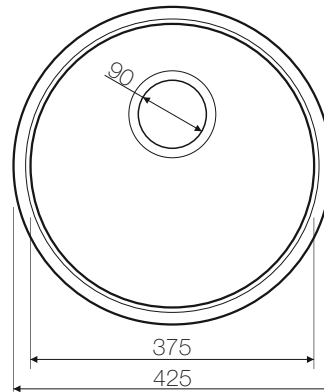
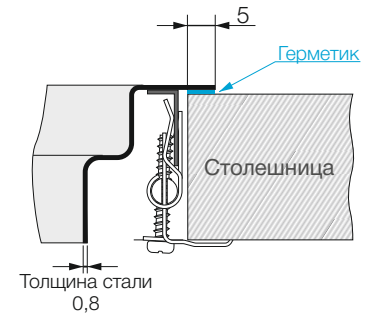
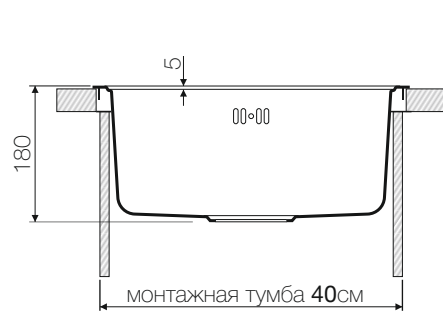
Stainless steel 304

Base 40/45

TOYA 42-IN 4993186
 TOYA 42-AB 4993187
 TOYA 42-GM 4993188

Weight (kilogram) 2,6

Врезной монтаж



TOYA 42 (IN/AB/GM)

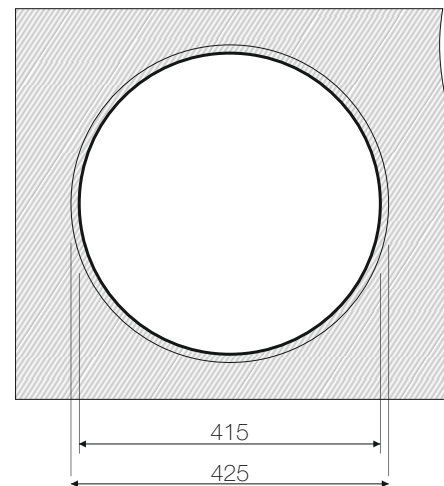
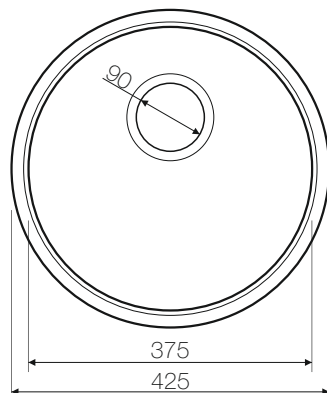
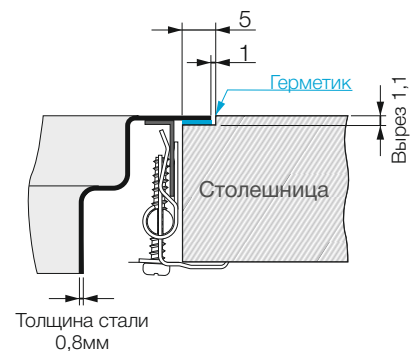
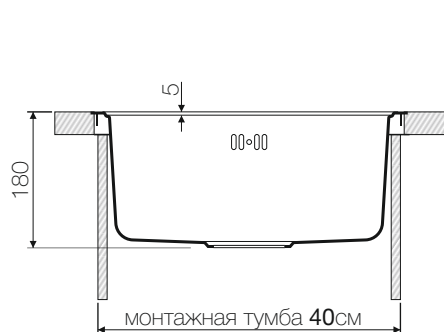
Stainless steel 304

Base 40/45

TOYA 42-IN 4993186
TOYA 42-AB 4993187
TOYA 42-GM 4993188

Weight (kilogram) 2,6

Монтаж вровень со столешницей



TOYA 42 (IN/AB/GM)

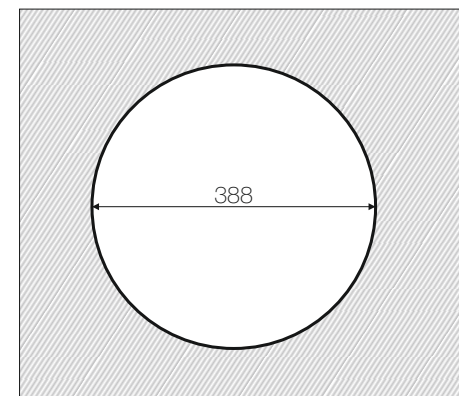
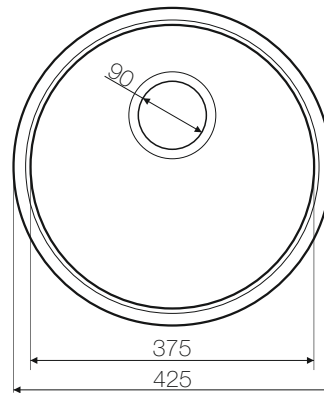
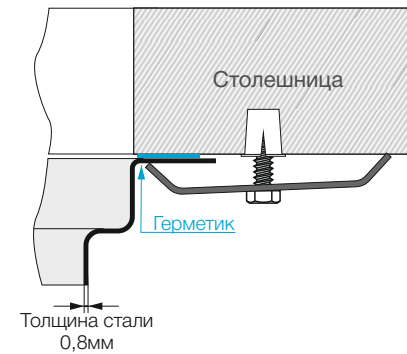
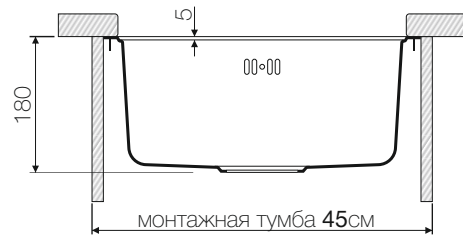
Stainless steel 304

Base 40/45

TOYA 42-IN 4993186
 TOYA 42-AB 4993187
 TOYA 42-GM 4993188

Weight (kilogram) 2,6

Подстольный монтаж



TOYA 42 (IN/AB/GM)

Stainless steel 304

Base 40/45

TOYA 42-IN 4993186
TOYA 42-AB 4993187
TOYA 42-GM 4993188

Weight (kilogram) 2,6